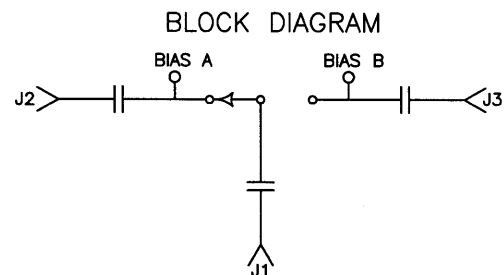
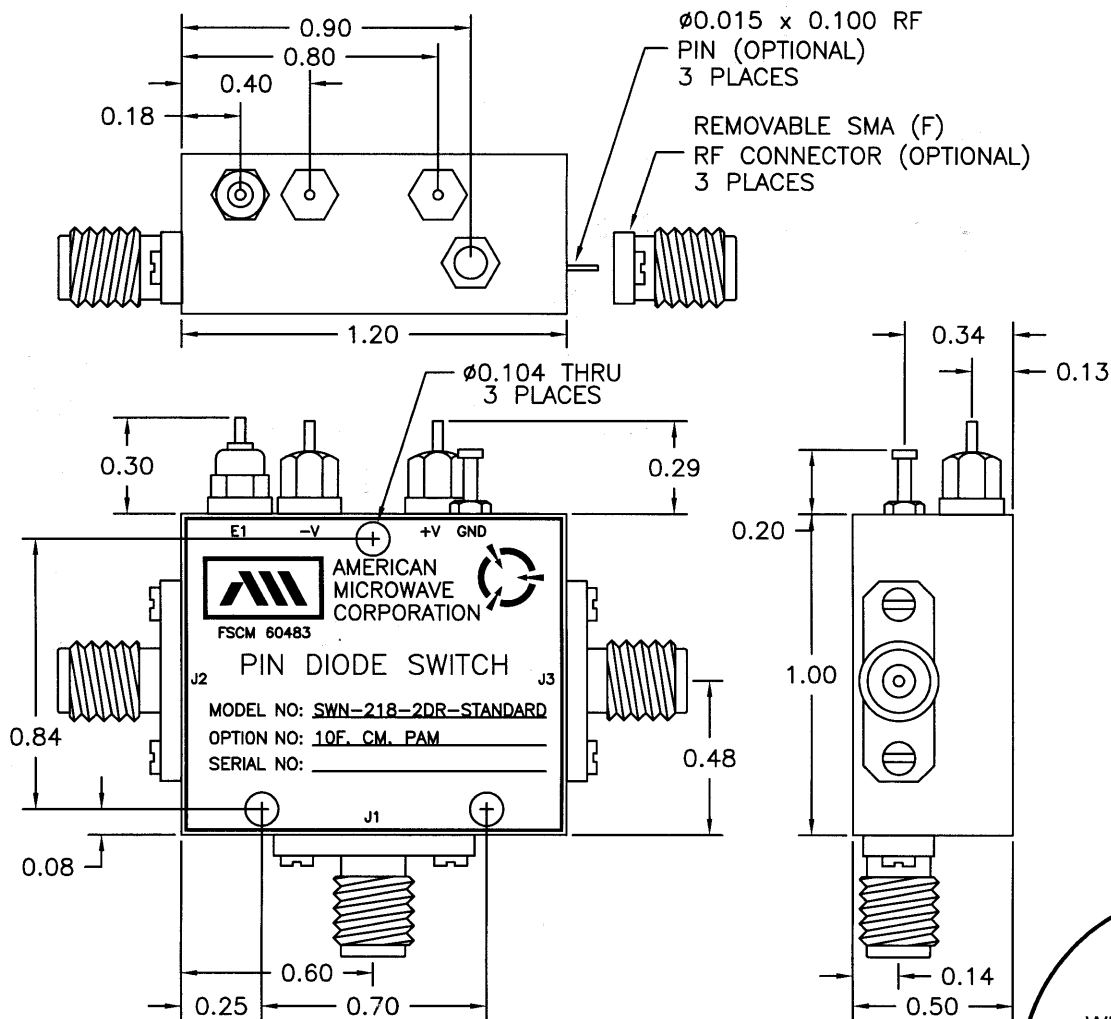


DESCRIPTION

AMC MODEL: SWN-218-2DR-STANDARD OPTION: 10F, CM, PAM IS A REFLECTIVE SINGLE POLE TWO THROW SWITCH DESIGNED TO OPERATE BETWEEN THE 9.5 TO 10.5 GHz FREQUENCY RANGE WITH A $\pm 5^\circ$ PHASE AMPLITUDE MATCHING BETWEEN THE ARMS.

REVISIONS				
ZONE	REV.	DESCRIPTION	DATE	APPROVED
	-	ORIGINAL RELEASE JOB# 412301-1	1/31/05	

MECHANICAL OUTLINE



AMERICAN MICROWAVE CORPORATION

7311-G GROVE ROAD
 FREDERICK, MARYLAND 21704 USA
 TEL: 301-662-4700 FAX: 301-662-4938
 WEBSITE: www.americanmicrowavecorp.com
 E-MAIL: sales@americanmicrowavecorp.com
 ISO 9001:2000 CERTIFIED



ALL DIMENSIONS ARE IN INCHES
 TOLERANCES:
 X.XX ±0.020
 X.XXX ±0.010

APPROVALS		DATE	TITLE		
DRAWN <i>JDJ</i>		1/31/05	MECHANICAL OUTLINE SWN-218-2DR-STANDARD OPTION: 10F, CM, PAM 9.5 - 10.5 GHz, SINGLE POLE TWO THROW SWITCH		
CHECKED			SIZE A	FSCM NO. 60483	DWG NO. 100-7321
ISSUED			SCALE N:S	SHEET 2 OF 3	

DESCRIPTION

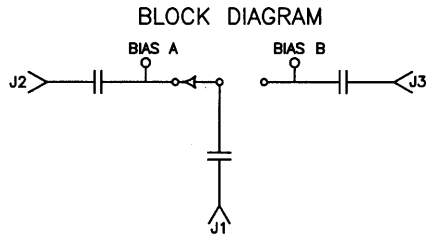
AMC MODEL: SWN-218-2DR-STANDARD OPTION: 10F, CM, PAM IS A REFLECTIVE SINGLE POLE TWO THROW SWITCH DESIGNED TO OPERATE BETWEEN THE 9.5 TO 10.5 GHz FREQUENCY RANGE WITH A $\pm 5^\circ$ PHASE AMPLITUDE MATCHING BETWEEN THE ARMS.

SPECIFICATIONS

- FREQUENCY RANGE: 9.5 TO 10.5 GHz
- INSERTION LOSS: 2.0 dB MAXIMUM
- ISOLATION: 60 dB MINIMUM
- VSWR: 2.0:1
- SWITCHING SPEED: ≤ 1 uSec
- POWER HANDLING: 100 MILLIWATTS
- PHASE MATCHING: $\pm 5^\circ$ ARM TO ARM
- CONTROL: TTL LOGIC "0" = J1-J2 ON
TTL LOGIC "1" = J1-J3 ON
- POWER SUPPLY: +5V @ 100 mA MAXIMUM
-5V @ 75 mA MAXIMUM
- CONNECTORS:
RF: SMA FEMALE
CONTROL: SOLDER PIN
- SIZE: 1.20" (L) x 1.00" (W) x 0.50" (H)
- WEIGHT: 1.5 OUNCE TYPICAL

OPTIONS:

- 10F: 9.5 TO 10.5 GHz FREQUENCY RANGE
- CM: SPECIAL FOR CRAIG MABERRY
- PAM: PHASE AMPLITUDE MATCHING



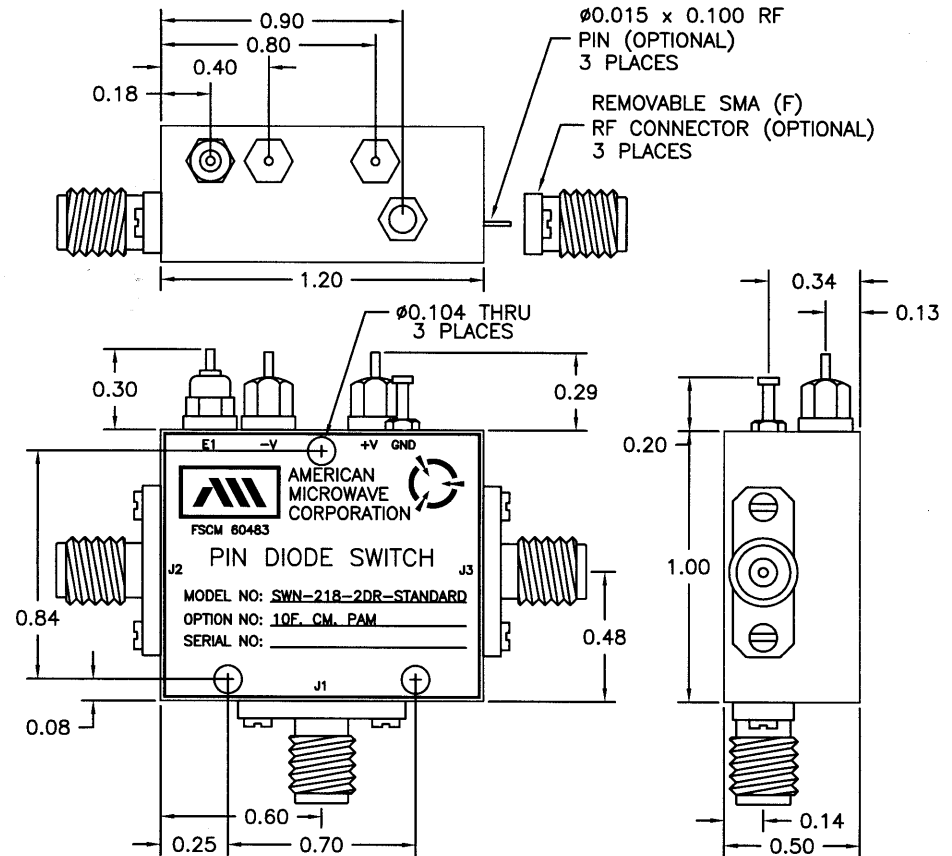
ENVIRONMENTAL RATINGS:

- TEMPERATURE: -55°C TO +85°C (OPERATING)
-65°C TO +125°C (STORAGE)
- HUMIDITY: MIL-STD-202F, METHOD 103B COND. B
- SHOCK: MIL-STD-202F, METHOD 213B COND. B
- VIBRATION: MIL-STD-202F, METHOD 204D COND. B
- ALTITUDE: MIL-STD-202F, METHOD 105C COND. B
- TEMPERATURE CYCLE: MIL-STD-202F, METHOD 107D COND. A

NOTE: SPECIFICATIONS WILL VARY OVER OPERATING TEMPERATURE
NOTE: THE ABOVE SPECIFICATIONS ARE SUBJECT TO CHANGE OR REVISION

ALL DIMENSIONS ARE IN INCHES
TOLERANCES:
X.XX ± 0.020
X.XXX ± 0.010

ZONE		REV.		REVISIONS		DATE	APPROVED
						1/31/05	
				- ORIGINAL RELEASE JOB# 412301-1			



AMERICAN MICROWAVE CORPORATION

7311-G GROVE ROAD
FREDERICK, MARYLAND 21704 USA
TEL: 301-662-4700 FAX: 301-662-4938
WEBSITE: www.americanmicrowavecorp.com
E-MAIL: sales@americanmicrowavecorp.com
ISO 9001:2000 CERTIFIED



APPROVALS		DATE	TITLE		
DRAWN <i>JDJ</i>		1/31/05	PRODUCT FEATURE SWN-218-2DR-STANDARD OPTION: 10F, CM, PAM 9.5 - 10.5 GHz, SINGLE POLE TWO THROW SWITCH		
CHECKED			SIZE A	FSCM NO. 60483	DWG NO. 100-7321
ISSUED			SCALE N:S	REV. -	
				SHEET 1 OF 3	